

# Waterproof Junction Box - INSX121

**Material:** Aluminum

**Dimensions:** 135mm x 135mm x 55mm

**Color:** White

**Type of Installation:** Wall

**Net Weight:** 0.6kg

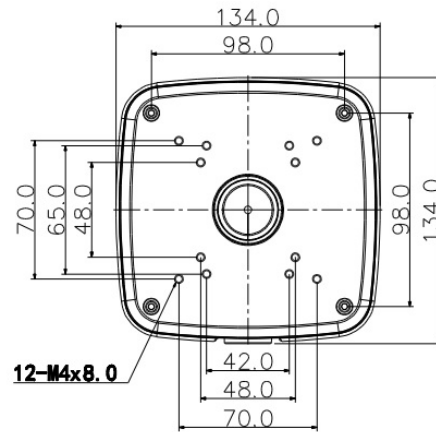
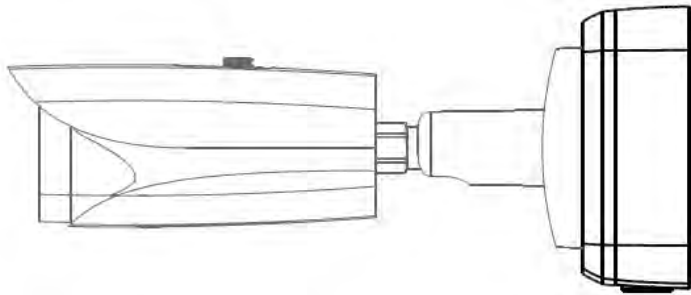
**Load Bearing Capacity:** 3kg

**Work with:** INSX152 or INSX151

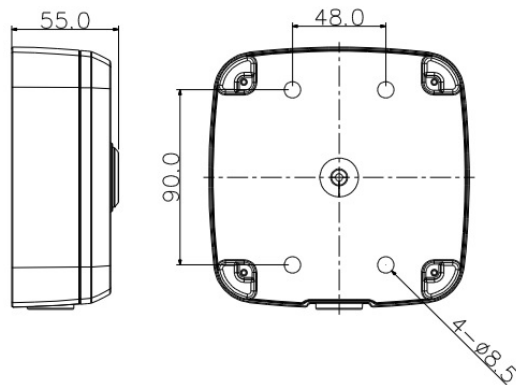


## Applications

## Dimensions (mm)



## Work with:



INSX152



INSX151